

NEW



TSCHORN®

Probes & Tools Technology



3D Tester tactile MP200



Unprecedented
probing accuracies
are finally possible!

Repeatability:
≤ 0.001 mm

Probing accuracy with
spindle rotation up to
bis zu 0.001 mm

Video



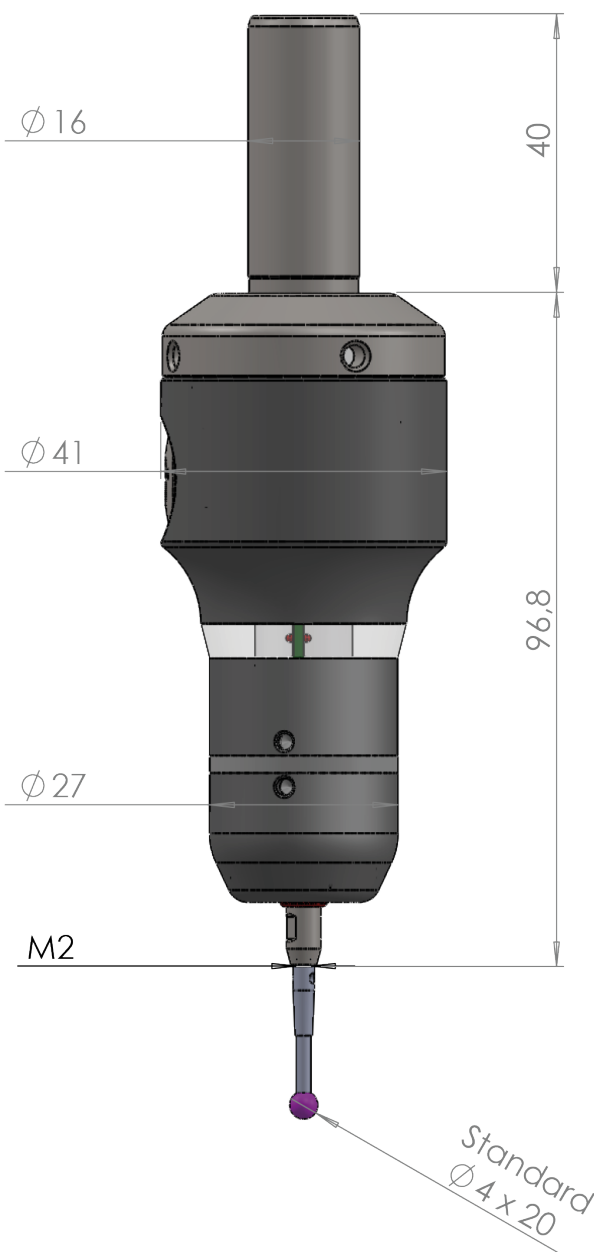
NEW

3D Tester tactile MP200

The new 3D Tester tactile MP200 is the groundbreaking advancement of our innovative TSCHORN 4.0 probing system, combined with the proven functionality of our manual probing systems.

Application: With the MP200, you achieve unprecedented probing accuracy in zero point determination.

Version: Probe with shank $\varnothing 16$ and stylus $\varnothing 4 \times 20$ (M2)

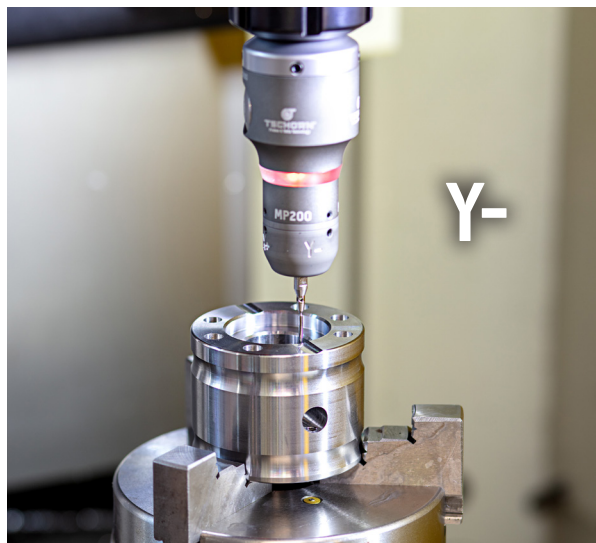
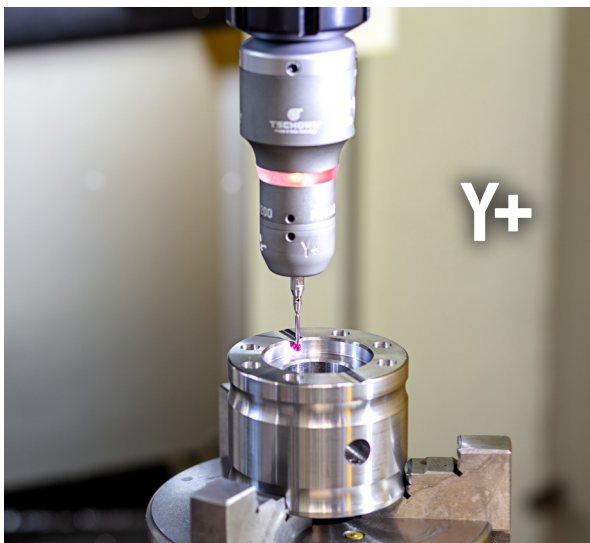
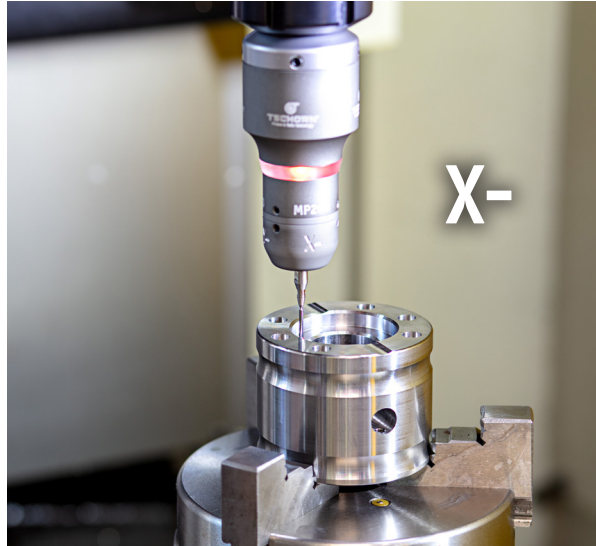
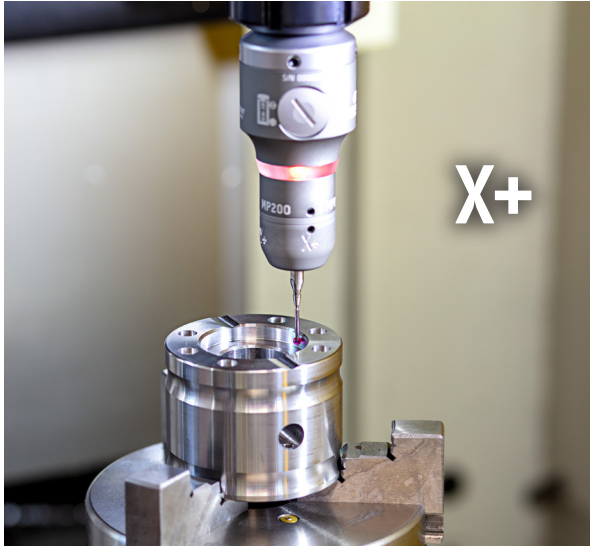


3D Tester tactile MP200

3D Tester tactile MP200

For easy handling, the measuring directions X+, X-, Y+ as well as Y- are engraved directly on the body of the probe:

3D Tester tactile MP200



Video

How to work with the 3D Tester MP200:

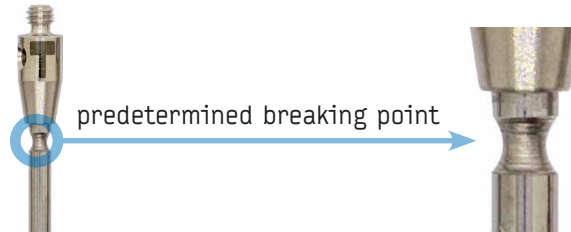


For probing in X+, rotate the probe so that X+ is directly in front of you. For probing in X-, rotate the probe so that X- is in front of you. Follow the same procedure for Y+ or Y-. Through spindle rotation, we enable probing with a precision of up to 0.001 mm.

This sets new, unprecedented standards!

With the new innovative 3D Tester tactile, you are very flexible:
You can customize the probe lengths and probe ball diameters to suit your needs with interchangeable probe tips.

Art.no.: 0014ST320 - Ø3 x 20 mm



Art.no.: 0014ST210 - Ø2 x 10 mm
Art.no.: 0014ST220 - Ø2 x 20 mm
Art.no.: 0014ST230 - Ø2 x 30 mm



Art.no.: 0014ST420 - Ø4 x 20 mm
Art.no.: 0014ST430 - Ø4 x 30 mm

3D Tester tactile MP200

Your benefits:

- Probing accuracy with spindle rotation up to 0.001 mm
- Tactile probing
- Flexible interchangeable styli (M2)
- Shank Ø16
- Adjustable run-out
- Waterproof
- Battery life > 1 year



Article No.	Description	Shank	Length
0014MP200	3D Tester tactile MP200 incl. stylus Ø4x20 (M2)	Ø16	96,8 + Stylus
0014ST210	Stylus Ø2x10 (M2)		
0014ST220	Stylus Ø2x20 (M2)		
0014ST230	Stylus Ø2x30 (M2)		
0014ST320	Stylus Ø3x20 (M2)		
0014ST420	Stylus Ø4x20 (M2)		
0014ST430	Stylus Ø4x30 (M2)		
00LS14250	Spare battery LS14250 (1/2 AA)		